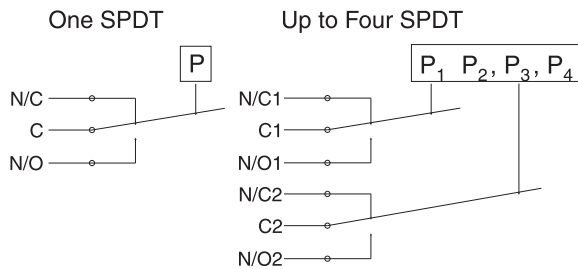




Ranges from 0-15 psi to 0-300 psi

Class I, Div. I, Gr. C and D available

Wiring Schematic



Description & Features:

- Constructed using a rugged cast aluminum housing (NEMA 4X and 12) that incorporates Winters' standard accurate switching mechanism actuated by a diaphragm
- Housing can be specified watertight or explosion proof and large enough to accommodate up to 4 full size SPDT electric switches
- Electric switches are available in a variety of configurations including adjustable switch differential (dead band), DPDT, high-low operation, manual reset
- Many switching configurations can be supplied with electric switches that have low switch differentials (dead band), high direct current ratings, gold contacts, hermetically sealed contacts
- Standard pressure-sensing element uses a strong Buna N elastomer diaphragm. Other diaphragm materials are available
- 1 year warranty

Applications:

- Multiple tank or pump controls and those requiring alarm systems

Installation Notes

Orientation - The 6WPS Diaphragm Actuated will operate satisfactorily in any position. However, mounting the device vertically will allow the easiest adjustability and reduce sediment in the pressure chamber.

Wiring - Switches may be wired to 'normally open' or 'normally closed' terminals on electric switch(es).

Pressure Connection - 1/4" NPT female is standard. 1/2" NPT male is available (M option).

Adjustment - Turn pressure adjustment nut(s) clockwise to increase setpoint. Detailed installation and calibration instructions are provided for every shipment. Setting adjustment is available at no charge.

Teflon® is a registered trademark of Dupont Corporation
Viton® is a registered trademark of DuPont Performance Elastomers

Specifications	
Housing	Cast aluminum
Pressure Connection	1/4" NPT
Electrical Connection	3/4" NPT
Port Material	Aluminum
Diaphragm Material	Buna N, Teflon® protected, Viton®
Deadband	Fixed
Sensitivity	0.5% of range (for SPDT)
Drift	<1% of range (100,000 operations)
Contact Ratings	15A - 125, 250, 480 VAC
Set Point Adjustment	Screw type, field adjustable
No. of Contacts	1, 2, 3 or 4 SPDT or 1 DPDT
Contact Listings	UL Recognized, CSA Certified
Maximum Ambient Temperature	180°F (82°C)
Minimum Ambient Temperature	-20°F (-29°C)
Weight	Approx. 5 lbs.

Adjustable Pressure Range	Maximum Deadband		Maximum Working Pressure
	Type 1	Type 2	
Pressure (psi)			
0-15 psi	0.2	0.3	50
0-30 psi	0.2	0.5	100
0-60 psi	0.5	1.0	200
0-100 psi	1.0	2.0	300
0-150 psi	1.0	2.5	300
0-200 psi	2.0	3.5	500
0-300 psi	3.0	5.0	500
Vacuum			
30"HG /VAC	3"	0.6"	50
30PR-30 VAC	5"	1.0	50
High Over-Pressure			
0-15 psi	0.3	0.6	1,000
0-30 psi	0.4	0.8	1,000
0-60 psi	0.5	1.0	1,000
0-100 psi	0.8	1.5	1,000

Deadband Notes

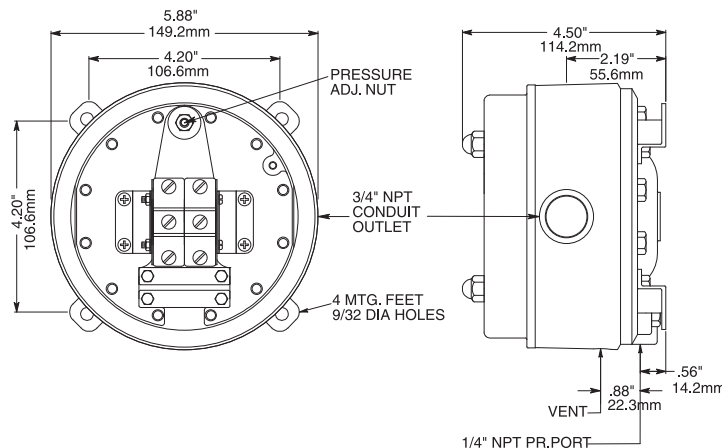
The deadbands listed in the tables are the maximum switch differentials when the standard electric switch is used.

Deadband is affected by the type of switch used. Each type of switch's effect on deadband is as follows:

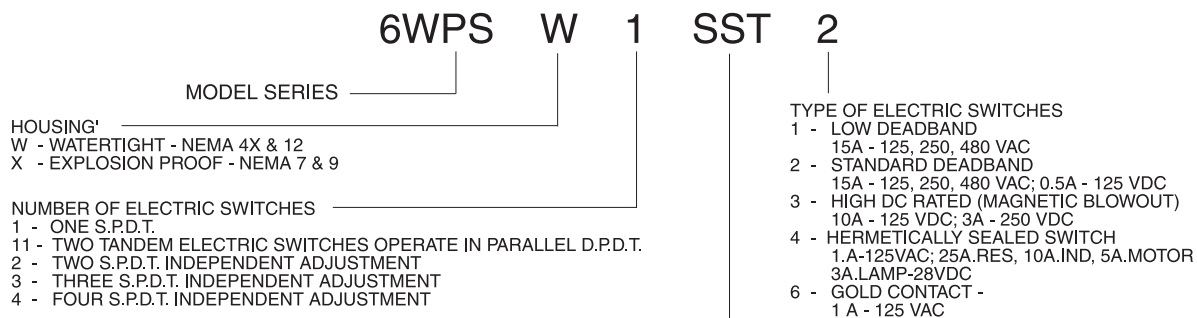
- Type 1** Low Deadband - Use ½ Type 2 table values
- Type 2** Std. Deadband - Use table values
- Type 3** High DC Rated - Multiply Type 2 table values by two
- Type 4** Hermetically Sealed Switch - Multiply Type 2 table values by six
- Type 6** Gold Contact - Use Type 2 table values



Canadian Standards Association Certified:
Industrial Control Equipment Type 4 & 12. Switches
Pressure Type for Hazardous Locations, Class I, Group C & D; Class II, Group E, F & G.



Series Number (how to order)



* SPECIAL FEATURES SUCH AS STAINLESS TAGGING, OR SPECIAL WETTED PARTS; KYNAR, KALREZ, HASTELLOY, ETC. ARE AVAILABLE ON REQUEST. CONSULT WINTERS FOR CAPABILITIES AND PRICING FOR ANY FEATURES NOT SHOWN.