

Specifications of Ultrasonic Flow Meter UX/YZ for Fuel Gas Management

Model	UX40	UX50	UZ40	UZ50
Pipe connection	Screw		Flange	
	Rc1-1/2	Rc2	JIS10K	
Maximum working pressure	100kPa		500kPa	
Gas type ※1	City gas (13A), butane (butane = 70%, propane = 30%), propane (propane = 98%, butane 2%), nitrogen and argon			
Power/consumption	Battery ※2			
	Exclusive lithium battery (life = 5 years @20°C and 65%RH)			
	AC power			
	100VAC±15%/max 10W (for 22mA)			
	DC power			
	24VDC±10%/max 2W (for 26.4V and 22mA)			
Flow range (Actual flow)	City gas, nitrogen and argon	1.6~80m³/h	3~150m³/h	1.6~80m³/h
	Butane and propane		3~80m³/h	3~150m³/h
Accuracy ※3	±4%RD (for a range of 10% to 100% of the max flow)			
	±0.5%FS (for a range of 2% to 10% of the max flow)			
Temperature and pressure compensation ※4	Yes/No (Normal/Standard conversion)			
Conversion accuracy	±1.5%RD(@23°C and 100kPa)		±1.5%RD(@23°C and 500kPa)	
Display	Main display	Accumulated flow (actual flow: 8-digit integer + 2 decimal places, converted flow: 8-digit integer + one decimal place, accumulated flow of trip function)		
	Sub display	Alarm indication (for ultrasonic sensor, temperature sensor, pressure sensor, external memory and power voltage (for battery operation only))		
Output	Analogue	(For 100VAC or 24VDC only) 4-20mADC (load resistance = max 400Ω); choose among options of instantaneous flow, temperature and pressure (default = instantaneous flow)		
	Pulse	Nch open-drain output (maximum load 24VDC, 50mA)		
		Output 1 (accumulated flow volume pulse); standard = 1000L/P (choose 10, 100, 1000 or 10000 L/P); duty = 20 - 80%		
Communication ※5	(For 100VAC or 24VDC drive) RS485 Modbus/RTU (4800/9600 bps)			
Fluid temperature	-10°C to +60°C, under unfrozen condition			
Ambient working temperature and humidity	-10°C to +60°C, max 90%RH, no condensation permissible			
Protective structure	Indoor and outdoor use *6, IP64 (JIS C 0920)			
Mass	About 4.7kg	About 6.3kg	About 7.0kg	About 8.8kg

※1 Gas type (composition) can be changed on site among those specified here with little degradation in measuring accuracy.
 ※2 Replaceable without removing the meter from the piping.
 ※3 In case a distance from an elbow of minimum 10D in the upstream side and 5D in the downstream side of the meter can be secured: ±2%RD (for a range of 10% to 100% of the max flow) and ±0.5%FS (for a range of 2% to 10% of the max flow). The distance to a governor should be greater than 10D for both the upstream and downstream sides of the meter. Failing to meet this condition may lead to inaccurate measurements. For other conditions for installation, please contact us.
 ※4 Normal flow: Conversion of measurement into a flow at 0°C and 1 atm. Standard flow = conversion of measurement into a flow at the reference temperature and 1 atm.
 ※5 For communication specifications, see our company's website to download it.
 ※6 High temperatures can cause the electronic circuit board to be deteriorated and the batteries to be consumed. To avoid unnecessary rise in temperature, the product is recommended to be fitted with a sunshade.

Conversion into Normal flow: example (at fluid temperature of 15°C)

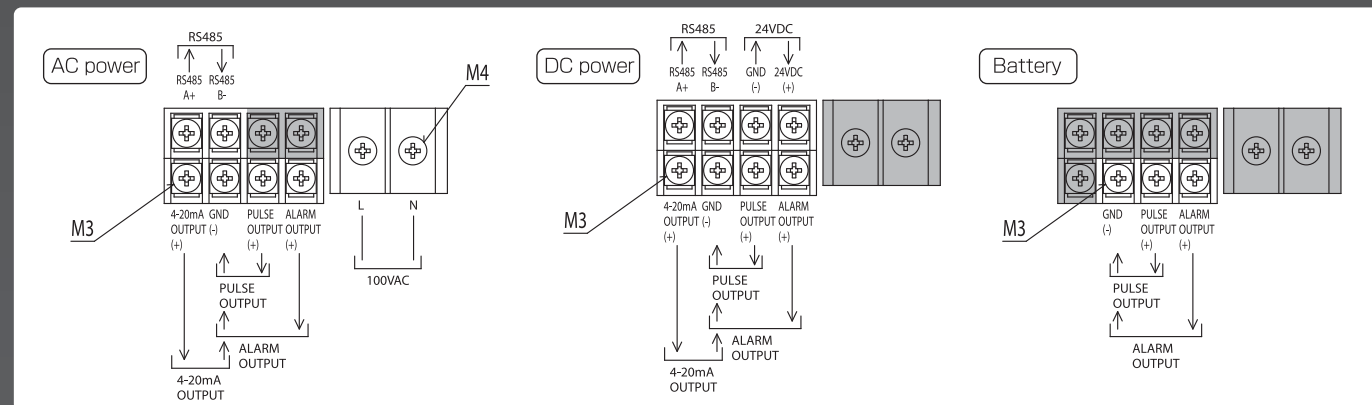
Diameter of 40A		m³/h (normal)							
Gauge pressure	2kPa	2.8kPa	15kPa	60kPa	100kPa	150kPa	300kPa	500kPa	
Actual flow	1.6 m³/h	1.5	1.6	1.7	2.4	3.0	3.8	6.0	9.0
	80 m³/h	77.3	77.9	87.0	120.7	150.7	188.1	300.4	450.1

Diameter of 50A		m³/h (normal)							
Gauge pressure	2kPa	2.8kPa	15kPa	60kPa	100kPa	150kPa	300kPa	500kPa	
Actual flow	3 m³/h	2.9	2.9	3.3	4.5	5.7	7.1	11.3	16.9
	150 m³/h	145.0	146.1	163.2	226.4	282.5	352.7	563.2	843.9

Equation for conversion

$$\text{Normal flow} = \text{Actual flow} \times \frac{\text{Atmospheric pressure (101.325kPa)} + \text{Gauge pressure (kPa)}}{\text{Atmospheric pressure (101.325kPa)} + \text{Reference pressure for conversion (kPa)}} \times \frac{\text{Absolute temperature scale value of 0°C (273.15K)}}{\text{Absolute temperature scale value of 0°C (273.15K)} + \text{Fluid temperature (°C)}}$$

Terminal stands and connection



Reliability Creativity Service

For Fuel Gas Management
Ultrasonic Flow Meter

UX/UZ

Developed jointly by Tokyo Gas Co., Ltd. and our company



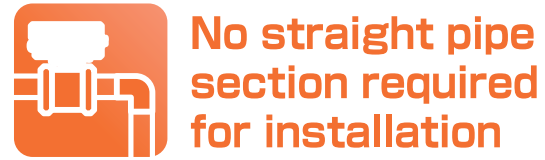
No straight pipe section required for installation

Wide operation range

Battery replaceable

Developed for customer's "NEEDS"

Need 1 Customer wants to install a flow meter immediately after a bend part in the piping



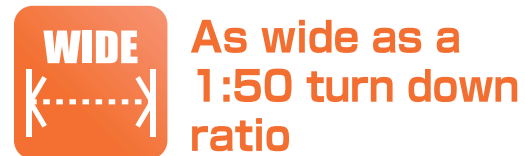
No straight pipe section required for installation

It is possible to connect the flow meter directly to a bend such as an elbow piece and a flexible pipe.

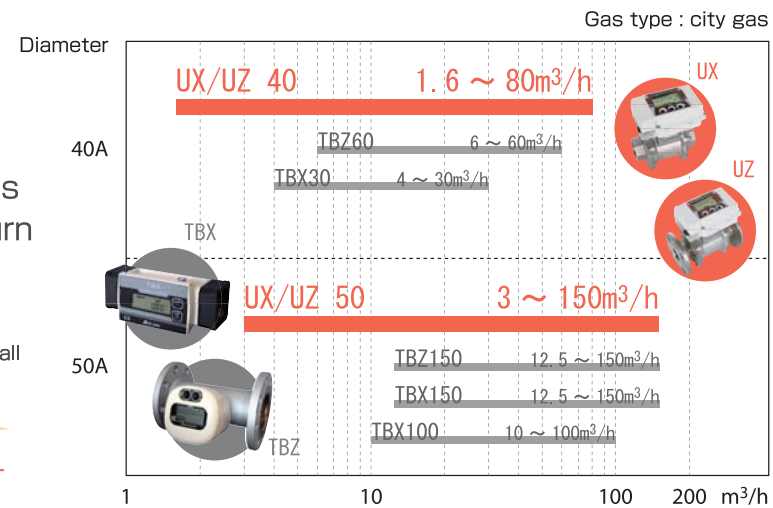
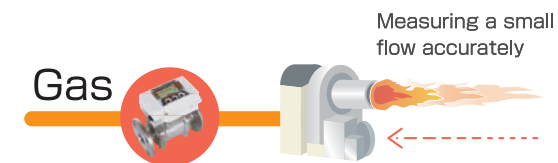


The flow meter has to be located 10D or more distant from a governor irrespective whether it is placed upstream or downstream of the governor. Failing to meet this condition may lead to inaccurate measurements. (D = pipe diameter)

Need 2 Customer wants to measure a small flow range



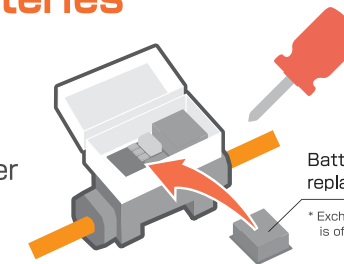
Applicable also for measuring gas flow of a burner having a large turn down ratio.



Need 3 Customer wants to replace batteries



Users can replace batteries without removing the meter from the piping.



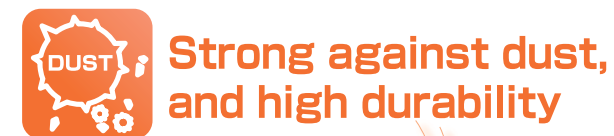
You can choose one of the three power supply options:



For battery life, see the specifications on the backside of this print.

Customer's option to be chosen when buying the product

Need 4 Customer wants to reduce maintenance work



Use the product in such a condition that does not allow the gas to re-liquefy into oil mist.

Need 5 Customer wants to use it outdoors



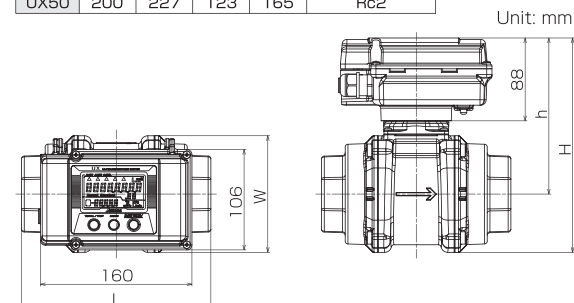
High temperature can cause the electronic circuit board to be deteriorated and batteries to be consumed. To avoid unnecessary rise in temperature, the product is recommended to be fitted with a sunshade.

External dimension

* The overall length (L) is as same as that of our company's turbine meter (TBX/TBZ) of the same diameter.

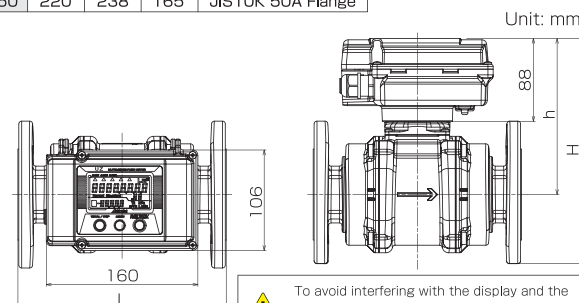
UX

Model	L	H	W	h	Connection diameter
UX40	170	212	118	157	Rc1-1/2
UX50	200	227	123	165	Rc2



UZ

Model	L	H	h	Connection diameter
UZ40	200	222	157	JIS10K 40A Flange
UZ50	220	238	165	JIS10K 50A Flange



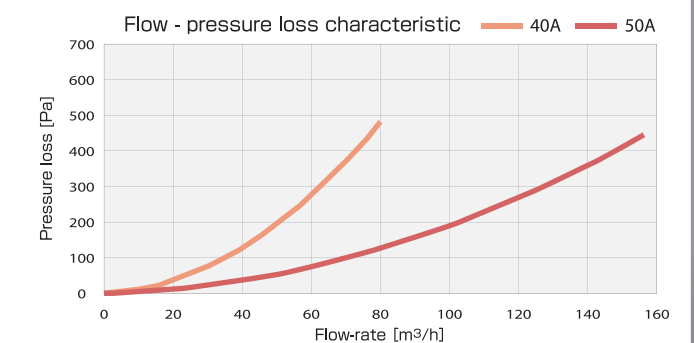
To avoid interfering with the display and the meter housing, use a hex bolts of 55mm in length. (Recommended: M6×55mm)

Model code

Basic Model	Dia-meter	Compensation	Power supply	Flow direction ※1	Gas type	Description
UX	40	0	BT	L	13A	Screw connection
UZ	50	100	DC	R	PRO	Flange connection
		500	AC	U	BTN	40A
				D	N2	50A
					AR	Actual flow (No compensation)
						Temperature and pressure compensation UX
						Temperature and pressure compensation UZ
						BT: exclusive lithium battery *2
						D.C.: 24VDC ± 10%
						A.C.: 100VAC ± 10%
						Left to right
						Right to left
						Bottom to top
						Top to bottom
						13A
						Propane
						Butane
						Nitrogen
						Argon

*1 The display's orientation is changeable on site.
*2 The battery is changeable on site.

Pressure loss chart



This data stands for pressure loss for air.
For city gas 13A, multiply the reading by 0.64 (specific gravity of the gas).
For LPG, multiply the reading by about 1.55 (specific gravity of LPG).