



SY

Measurement feature	Accurate measurement of small flowrate
Measurement range	1:1000
Measurable water	City water, plant water, agricultural water *1
Meter connection method	Flange(JWWA standard) type
Body material	Cast stainless steel
Flow path	Cone structure

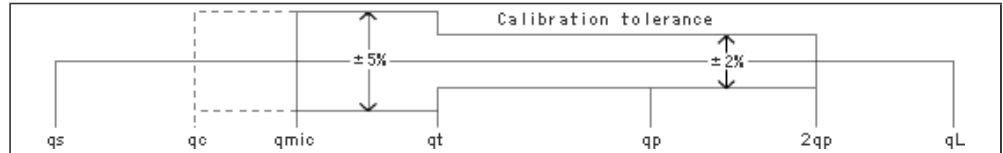
*1: Usable for agricultural water containing little foreign substances.

SY Series Overview

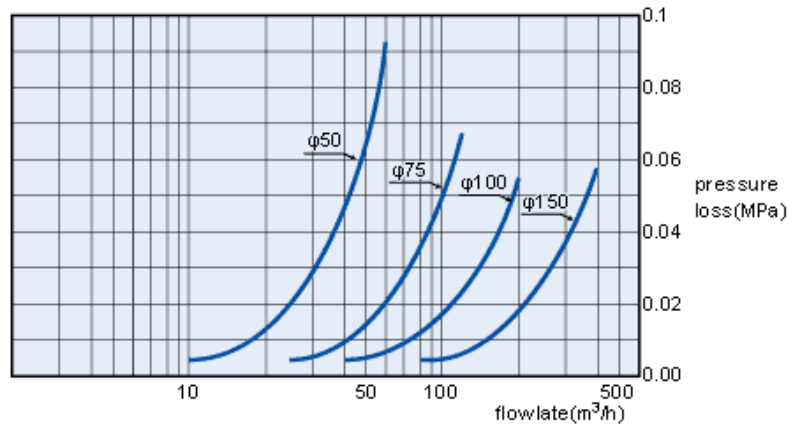
Item		Nominal diameter			
		50	75	100	150
Flow-rate range	Max. flow-rate (2qp)(m ³ /h)	40	90	160	300
	Standard flow-rate (qp)(m ³ /h)	20	45	80	150
	Transitional flow-rate (qt)(m ³ /h)	4	9	16	30
	Min. flow-rate (qmin)(m ³ /h)	0.6	1.35	2.4	4.5
	Min. accurate flow-rate (qc)(m ³ /h)	0.04	0.09	0.16	0.3
		0.01	0.0225	0.04	0.075
	Measurement starting flow-rate (qs)(m ³ /h)	The meter does not measure a flowrate less than the measurement starting flowrate (qs). The qs to qmin flowrate range is not within the calibration tolerance.			
	Max. limit flow-rate (qL)(m ³ /h)	60	120	200	400
		The 2qp to qL flowrate region is not within the calibration tolerance.			
	Pressure drop at max. flow-rate (MPa)	0.041	0.039	0.035	0.032
	Working pressure (MPa)	0.75 (Approx. 7.5kgf/cm ²)			
Display	Integrating flow (m ³)	999999.9999			9999999.999
	Instantaneous flow-rate (m ³ /h)	99.99		999.9	
Meter weight (kg)		10	12	16	25

Item			
Display	No-water warning mark	💧 mark lights	
	Low-battery alarm mark	🔋 mark flickers	
	Measurement stop alarm mark	🛑 mark lights	
Measured fluid	Suitable working temperature (°C)	0 to +30	
	Fluid conductivity rate (μs/cm)	50 or more	
Power supply and battery life		Lithium battery (Nominal 3.6V), battery life approx. 8 years (At average environmental temperature of 20 °C)	
Environmental temperature range (°C)		-10 to +55 (The battery life is shortened at higher temperature.)	
Waterproof structure		JIS C0920 (Underwater use), continuous use at 1m water depth is possible	
Piping method		Flange (JWWA standard) type	
Meter installation position		Free (Horizontal, vertical and inclined installation are possible.)	
External output	SY-FN type	No external output functions (Only field display)	
	SY-FC type	Electronic statement signal for exclusive independent receiver (SR-4 type)	Transmitter: MX35 type
	SY-FM type	Open drain unit pulse signal	Transmitter: MX39 type
	SY-FL type	8-bit electronic statement signal (The signal widely diffused in Japan for water and gas meters), open drain unit pulse signal	Transmitter: MX38 type

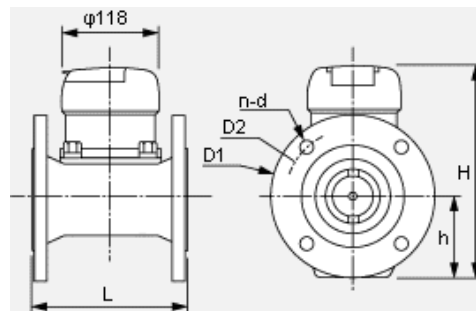
Accuracy



Head Loss



External Dimensions



(Units : mm)

Nominal diameter	L	D ₁	D ₂	n	d	H	h
50	170	186	143	4	19	265	93
75	190	211	168	4	19	282	106
100	210	238	195	4	19	309	119
150	230	290	247	6	19	386	145